

Clamping Knobs & Levers



AXL SERIES Levers

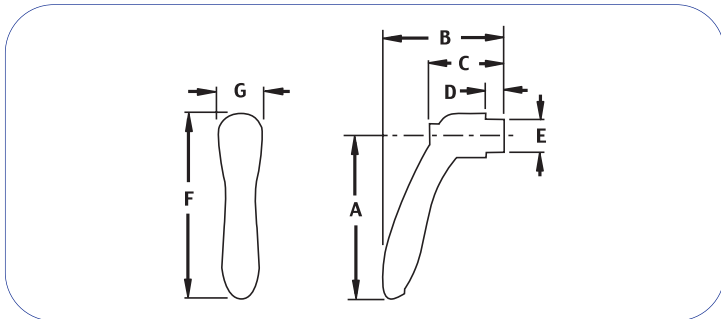
Material: 2-Shot SoftTouch TPE over
Glass-Reinforced Polypropylene

Metal Hardware: Black Oxide Steel Female
Threaded Inserts or Studs

Stud Length: Up to 3 inches

Colors: Black, Grey, White, Blue, Yellow,
or Red

Custom color matching and pad printed
markings are available. Other materials
and hardware sizes can be accommodated.



PART #	A	B	C	D	E	F	G
AXL-40	1.57 / 40.00	1.46 / 37.00	.96 / 24.50	.22 / 5.50	.39 / 10.00	1.87 / 47.50	.55 / 14.00
AXL-65	2.56 / 65.00	1.99 / 50.50	1.12 / 28.50	.26 / 6.50	.49 / 12.50	2.91 / 74.00	.75 / 19.00
AXL-80	3.15 / 80.00	2.54 / 64.50	1.46 / 37.00	.39 / 10.00	.63 / 16.00	3.58 / 91.00	.87 / 22.00

in/mm, dimensional tolerances vary depending on material used and length of dimension

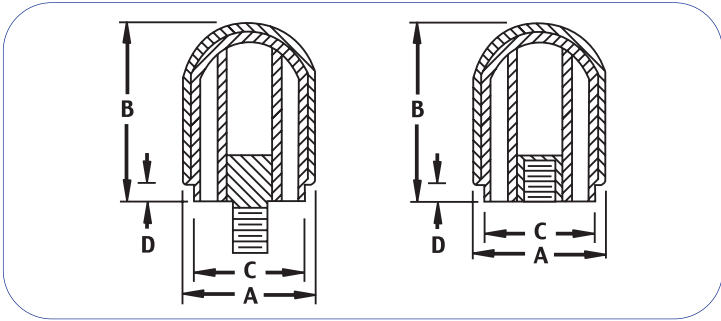
PART #	10-32	1/4-20	5/16-18	3/8-16	M5	M6	M8	M10
AXL-40	X	X			X	X		
AXL-65		X	X	X		X	X	X
AXL-80			X	X			X	X



HP SERIES High Profile

Material: 2-Shot SoftTouch TPE over Glass-Reinforced Polypropylene
Metal Hardware: Zinc-Plated Brass Female Inserts, or Zinc-Plated Steel Studs
Stud Length: Up to 3 inches
Colors: Black, Grey, White, Blue, Yellow, or Red

Custom color matching and pad printed markings are available. Other materials and hardware sizes can be accommodated.



PART #	A	B	C	D
HP-1	1.68 / 42.67	2.18 / 55.37	1.34 / 34.04	.20 / 5.08
HP-3	1.87 / 47.50	2.44 / 61.98	1.50 / 38.10	.22 / 5.59

in/mm, dimensional tolerances vary depending on material used and length of dimension

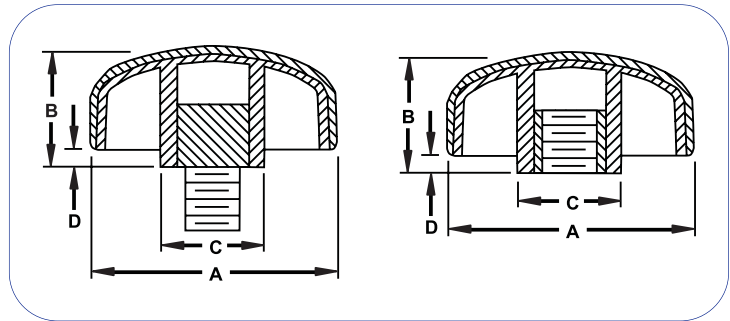
PART #	1/4-20	5/16-18	3/8-16	1/2-13	M6	M8	M10	M12
HP-1	X	X	X	X	X	X	X	X
HP-3	X	X	X	X	X	X	X	X

TRIAD SERIES

3 Lobe

Material: 2-Shot SoftTouch TPE over Glass-Reinforced Polypropylene
Metal Hardware: Zinc-Plated Brass Female Inserts, or Zinc-Plated Steel Studs
Stud Length: Up to 3 inches
Colors: Black, Grey, White, Blue, Yellow, or Red

Custom color matching and pad printed markings are available. Other materials and hardware sizes can be accommodated.



PART #	A	B	C	D
TRIAD-30	1.18 / 30.00	.65 / 17.00	.50 / 12.70	15 / 3.80
TRIAD-45	1.77 / 45.00	.89 / 22.60	.75 / 19.00	.12 / 3.00
TRIAD-55	2.17 / 55.00	1.08 / 27.40	.81 / 20.60	.15 / 3.80

in/mm, dimensional tolerances vary depending on material used and length of dimension

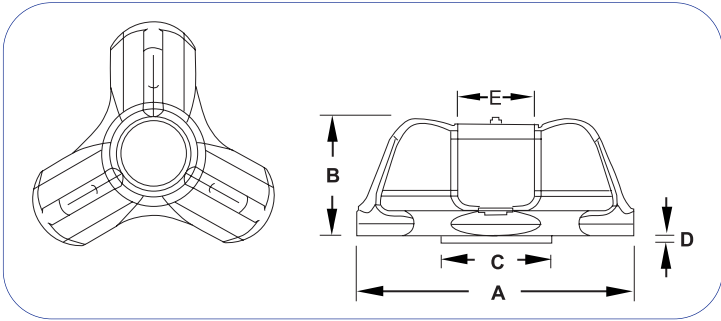
PART #	10-32	1/4-20	5/16-18	3/8-16	1/2-13	M5	M6	M8	M10	M12
TRIAD-30	X	X				X	X			
TRIAD-45		X	X	X			X	X	X	
TRIAD-55		X	X	X	X		X	X	X	X



PD SERIES 3 Arm

Material: Glass-Reinforced Polypropylene
Metal Hardware: Zinc-Plated Brass Female Inserts, or Zinc-Plated Steel Studs
Stud Length: Up to 3 inches
Colors: Black, Grey, White, Blue, Yellow, or Red

Custom color matching and pad printed markings are available. Other materials and hardware sizes can be accommodated.



PART #	A	B	C	D	E
PD-2 / PD-2-H	2.00 / 50.80	.82 / 20.83	.73 / 18.54	.05 / 1.27	.52 / 13.21
PD-3 / PD-3-H	3.00 / 76.20	1.14 / 28.96	.78 / 19.81	.05 / 1.27	.52 / 13.21

-H = Hole Thru, in/mm, dimensional tolerances vary depending on material used and length of dimension

PART #	1/4-20	5/16-18	3/8-16	1/2-13	M6	M8	M10	M12
PD-2 / PD-2-H	X	X	X		X	X	X	
PD-3 / PD-3-H	X	X	X	X	X	X	X	X

DELTA SERIES

3 Lobe

Material: ABS

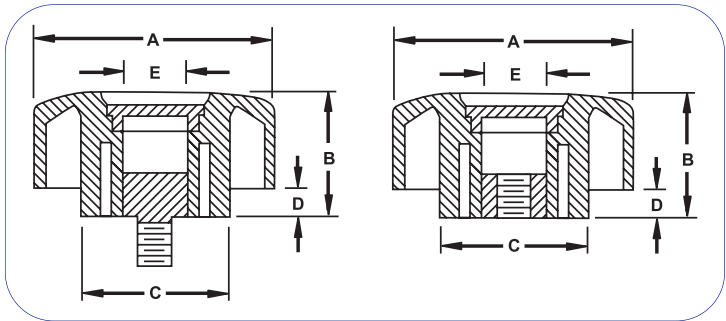
Body Configurations: Closed or
Hole-Thru Top

Metal Hardware: Zinc-Plated Brass Female
Inserts, or Zinc-Plated Steel Studs

Stud Length: Up to 3 inches

Colors: Black, Grey, White, Blue, Yellow,
or Red

Custom color matching and pad printed
markings are available. Other materials
and hardware sizes can be accommodated.



PART #	A	B	C	D	E
* D-2	.75 / 19.05	.51 / 12.95	.50 / 12.70	.13 / 3.30	
* D-5	1.18 / 29.97	.69 / 17.53	.50 / 12.70	.25 / 6.35	
D-10 / D-10-H	1.41 / 35.81	.75 / 19.05	.75 / 19.05	.19 / 4.83	.47 / 11.94
D-20 / D-20-H	1.75 / 44.45	.77 / 19.56	.75 / 19.05	.19 / 4.83	.50 / 12.70
D-30 / D-30-H	2.12 / 53.85	.87 / 22.10	.75 / 19.05	.20 / 5.08	.57 / 14.48

**Closed Top Only, -H = Hole Thru, in/mm, dimensional tolerances vary depending on material used and length of dimension*

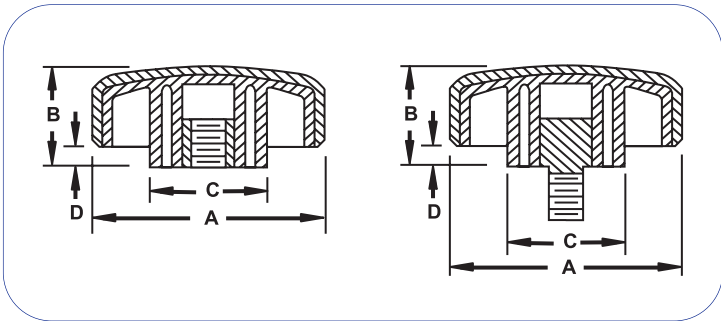
PART #	8-32	10-32	1/4-20	5/16-18	3/8-16	1/2-13	M4	M5	M6	M8	M10	M12
D-2	X	X	X				X	X	X			
D-5	X	X	X				X	X	X			
D-10 / D-10-H	X	X	X	X	X		X	X	X	X	X	
D-20 / D-20-H	X	X	X	X	X		X	X	X	X	X	
D-30 / D-30-H		X	X	X	X	X		X	X	X	X	X



LP SERIES 4 Lobe

Material: 2-Shot SoftTouch TPE over Glass-Reinforced Polypropylene
Metal Hardware: Zinc-Plated Brass Female Inserts, or Zinc-Plated Steel Studs
Stud Length: Up to 3 inches
Colors: Black, Grey, White, Blue, Yellow, or Red

Custom color matching and pad printed markings are available. Other materials and hardware sizes can be accommodated.



PART #	A	B	C	D
LP-J1	1.40 / 35.56	.68 / 17.27	.56 / 14.22	.18 / 4.57
LP-J2	1.75 / 44.45	.75 / 19.05	.68 / 17.27	.12 / 3.05
LP-J3	1.99 / 50.55	.86 / 21.84	.91 / 23.11	.16 / 4.06
LP-1	2.48 / 62.99	1.09 / 27.69	1.25 / 31.75	.18 / 4.57
LP-3	3.00 / 76.20	1.30 / 33.02	1.50 / 38.10	.22 / 5.59

in/mm, dimensional tolerances vary depending on material used and length of dimension

PART #	10-32	1/4-20	5/16-18	3/8-16	1/2-13	M5	M6	M8	M10	M12
LP-J1	X	X				X	X			
LP-J2	X	X	X	X		X	X	X	X	
LP-J3	X	X	X	X	X	X	X	X	X	X
LP-1		X	X	X	X		X	X	X	X
LP-3		X	X	X	X		X	X	X	X

FL SERIES

5 Lobe

Material: 2-Shot SoftTouch TPE over Glass-Reinforced Polypropylene

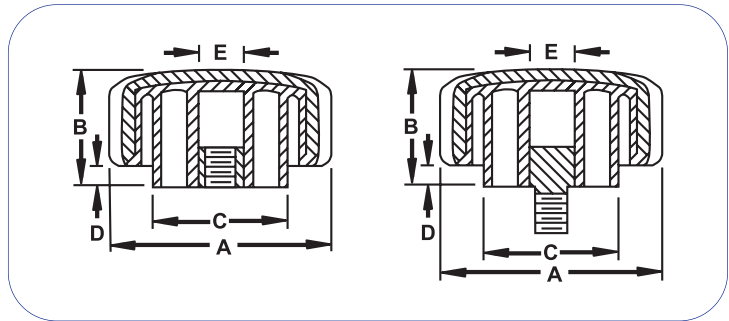
Body Configurations: Closed or Hole-Thru Tops

Metal Hardware: Zinc-Plated Brass Female Inserts, or Zinc-Plated Steel Studs

Stud Length: Up to 3 inches

Colors: Black, Grey, White, Blue, Yellow, or Red

Custom color matching and pad printed markings are available. Other materials and hardware sizes can be accommodated.



PART #	A	B	C	D	E
FL-40 / FL-40-H	1.52 / 38.61	1.09 / 27.69	.69 / 17.45	.18 / 4.57	.40 / 10.16
FL-50 / FL-50-H	1.90 / 48.26	1.09 / 27.69	.93 / 23.50	.17 / 4.32	.54 / 13.72
FL-60 / FL-60-H	2.26 / 57.40	1.09 / 27.69	1.25 / 31.75	.16 / 4.06	.54 / 13.72

in/mm, dimensional tolerances vary depending on material used and length of dimension

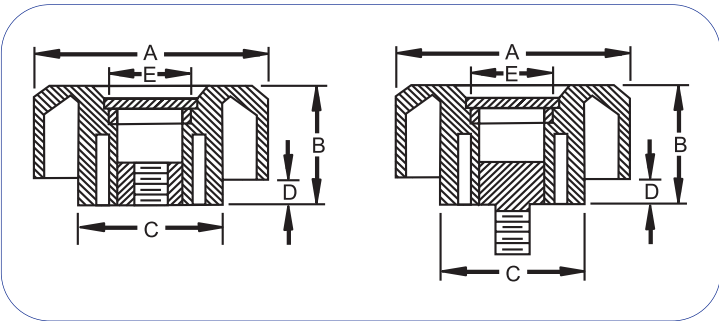
PART #	1/4-20	5/16-18	3/8-16	1/2-13	M6	M8	M10	M12
FL-40 / FL-40-H	X	X	X		X	X	X	
FL-50 / FL-50-H	X	X	X	X	X	X	X	X
FL-60 / FL-60-H	X	X	X	X	X	X	X	X



CORONET SERIES 6 Lobe

Material: ABS
Body Configurations: Closed or Hole-Thru Top
Metal Hardware: Zinc-Plated Brass Female Inserts, or Zinc-Plated Steel Studs
Stud Length: Up to 3 inches
Colors: Black, Grey, White, Blue, Yellow, or Red

Custom color matching and pad printed markings are available. Other materials and hardware sizes can be accommodated.



PART #	A	B	C	D	E
* CR-2	.75 / 19.05	.49 / 12.45	.50 / 12.70	.20 / 5.08	
* CR-5	1.00 / 25.40	.61 / 15.49	.50 / 12.70	.25 / 6.35	
CR-10 / CR-10-H	1.25 / 31.75	.69 / 17.53	.81 / 20.57	.25 / 6.35	.50 / 12.70
CR-20 / CR-20-H	1.75 / 44.45	.79 / 20.07	1.25 / 31.75	.18 / 4.57	.50 / 12.70
CR-30 / CR-30-H	2.12 / 53.85	.86 / 21.84	1.37 / 34.80	.20 / 5.08	.56 / 13.72
CR-40 / CR-40-H	2.50 / 63.50	1.03 / 26.16	1.37 / 34.80	.25 / 6.35	.75 / 19.05
CR-50 / CR-50-H	2.87 / 72.90	1.03 / 26.16	1.37 / 34.80	.25 / 6.35	.75 / 19.05
CR-60 / CR-60-H	3.25 / 82.55	1.03 / 26.16	1.37 / 34.80	.25 / 6.35	.74 / 18.80

*Closed Top Only, -H = Hole Thru, in/mm, dimensional tolerances vary depending on material used and length of dimension

PART #	8-32	10-32	1/4-20	5/16-18	3/8-16	1/2-13	M4	M5	M6	M8	M10	M12
CR-2	X	X	X				X	X	X			
CR-5	X	X	X				X	X	X			
CR-10 / CR-10-H	X	X	X	X	X		X	X	X	X	X	
CR-20 / CR-20-H	X	X	X	X	X		X	X	X	X	X	
CR-30 / CR-30-H	X	X	X	X	X	X	X	X	X	X	X	X
CR-40 / CR-40-H			X	X	X	X			X	X	X	X
CR-50 / CR-50-H			X	X	X	X			X	X	X	X
CR-60 / CR-60-H			X	X	X	X			X	X	X	X

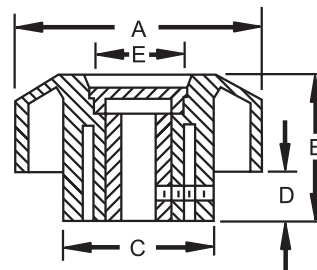
CORONET SERIES 6 Lobe with Bushing and Set Screw

Material: ABS

Metal Hardware: Zinc-Plated Brass Bushing
and Set Screw

Colors: Black, Grey, White, Blue, Yellow,
or Red

Custom color matching and pad printed
markings are available. Other materials
and hardware sizes can be accommodated.



PART #	A	B	C	D	E
CR-2-B	.75 / 19.05	.80 / 20.32	.50 / 12.70	.50 / 12.70	
CR-5-B	1.00 / 25.40	.86 / 21.84	.50 / 12.70	.50 / 12.70	
CR-10-B	1.25 / 31.75	.97 / 24.64	.81 / 20.57	.50 / 12.70	.50 / 12.70
CR-20-B	1.75 / 44.45	1.11 / 28.19	1.25 / 31.75	.50 / 12.70	.50 / 12.70
CR-30-B	2.12 / 53.85	1.16 / 29.46	1.37 / 34.80	.50 / 12.70	.56 / 13.72
CR-40-B	2.50 / 63.50	1.28 / 32.51	1.37 / 34.80	.50 / 12.70	.75 / 19.05
CR-50-B	2.87 / 72.90	1.28 / 32.51	1.37 / 34.80	.50 / 12.70	.75 / 19.05
CR-60-B	3.25 / 82.55	1.28 / 32.51	1.37 / 34.80	.50 / 12.70	.74 / 18.80

in/mm, dimensional tolerances vary depending on material used and length of dimension

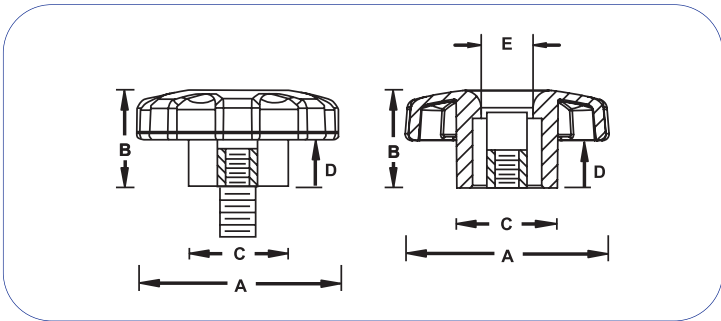
PART #	.125	.187	.250	.375	.500	6mm
CR-2-B	X	X	X			X
CR-5-B	X	X	X			X
CR-10-B	X	X	X			X
CR-20-B			X	X		X
CR-30-B			X	X		X
CR-40-B			X	X	X	X
CR-50-B			X	X	X	X
CR-60-B			X	X	X	X



SL SERIES 7 Lobe

Material: Glass-Reinforced Polypropylene
Body Configurations: Closed or Hole-Thru Top
Metal Hardware: Zinc-Plated Brass Female Inserts, or Zinc-Plated Steel Studs
Stud Length: Up to 3 inches
Colors: Black, Grey, White, Blue, Yellow, or Red

Custom color matching and pad printed markings are available. Other materials and hardware sizes can be accommodated.



PART #	A	B	C	D	E
SL-1 / S-1-H	1.12 / 28.45	.70 / 17.78	.58 / 14.73	.39 / 9.91	.26 / 6.60
SL-2 / SL-2-H	1.62 / 41.15	.77 / 19.56	.80 / 20.32	.37 / 9.40	.41 / 10.42
SL-3 / SL-3-H	2.37 / 60.20	.94 / 23.88	1.25 / 31.75	.37 / 9.40	.59 / 15.00

-H = Hole Thru, in/mm, dimensional tolerances vary depending on material used and length of dimension

PART #	10-32	1/4-20	5/16-18	3/8-16	1/2-13	M5	M6	M8	M10	M12
SL-1 / S-1-H	X	X				X	X			
SL-2 / SL-2-H		X	X	X			X	X	X	
SL-3 / SL-3-H		X	X	X	X		X	X	X	X

WK SERIES

Low Profile with No Core-Outs

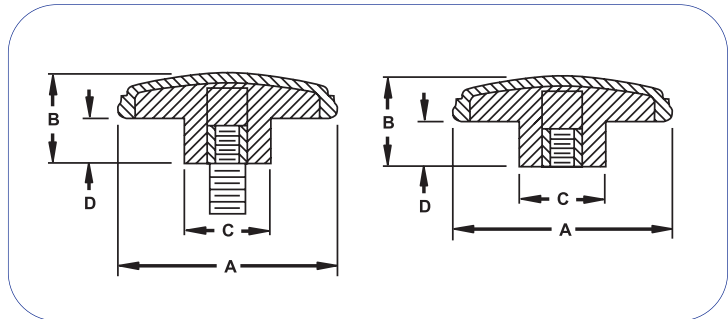
Material: 2-Shot SoftTouch TPE over Glass-Reinforced Polypropylene

Metal Hardware: Zinc-Plated Brass Female Inserts, or Zinc-Plated Steel Studs

Stud Length: Up to 3 inches

Colors: Black, Grey, White, Blue, Yellow, or Red

Custom color matching and pad printed markings are available. Other materials and hardware sizes can be accommodated.



PART #	A	B	C	D
WK-25	.98 / 24.89	.68 / 17.27	.54 / 13.72	.42 / 10.67
WK-40	1.57 / 39.87	.66 / 16.76	.75 / 19.05	.32 / 8.13
WK-50	1.97 / 50.04	.65 / 16.51	.77 / 17.78	.21 / 5.33

in/mm, dimensional tolerances vary depending on material used and length of dimension

PART #	10-32	1/4-20	5/16-18	3/8-16	M5	M6	M8	M10
WK-25	X	X			X	X		
WK-40		X	X	X		X	X	X
WK-50		X	X	X		X	X	X



WH SERIES Low Profile

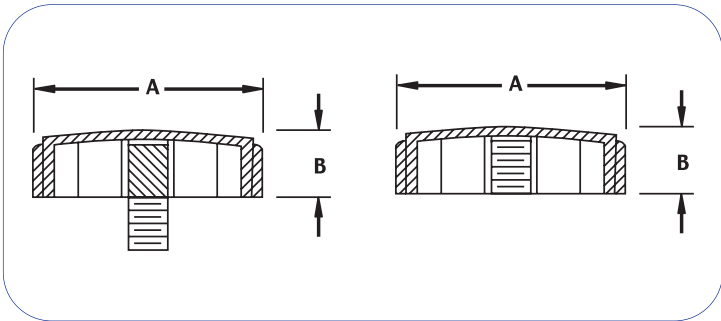
Material: 2-Shot SoftTouch TPE over Glass-Reinforced Polypropylene

Metal Hardware: Zinc-Plated Brass Female Inserts, or Zinc-Plated Steel Studs

Stud Length: Up to 3 inches

Colors: Black, Grey, White, Blue, Yellow, or Red

Custom color matching and pad printed markings are available. Other materials and hardware sizes can be accommodated.



PART #	A	B
WH	2.26 / 57.40	.67 / 17.02
<i>in/mm, dimensional tolerances vary depending on material used and length of dimension</i>		

PART #	10-32	1/4-20	5/16-18	3/8-16	M5	M6	M8	M10
WH	X	X	X	X	X	X	X	X

SIGMA SERIES

Low Profile with No Core-Outs

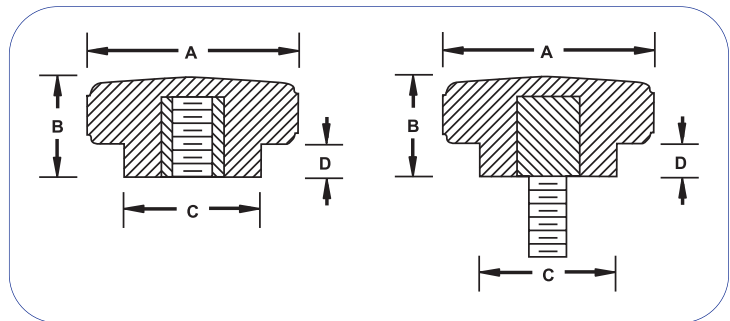
Material: Polypropylene

Metal Hardware: Zinc-Plated Brass Female Inserts, or Zinc-Plated Steel Studs

Stud Length: Up to 3 inches

Colors: Black, Grey, White, Blue, Yellow, or Red

Custom color matching and pad printed markings are available. Other materials and hardware sizes can be accommodated.



PART #	A	B	C	D
SIGMA-2	.62 / 15.75	.42 / 10.67	.47 / 11.94	.19 / 4.83
SIGMA-5	.87 / 22.10	.63 / 16.00	.50 / 12.70	.30 / 7.62
SIGMA-10	1.12 / 28.45	.62 / 15.75	.79 / 20.01	.23 / 5.84
SIGMA-20	1.37 / 34.80	.62 / 15.75	.75 / 19.05	.22 / 5.59
SIGMA-30	1.87 / 47.50	.63 / 16.00	.74 / 18.80	.23 / 5.84

in/mm, dimensional tolerances vary depending on material used and length of dimension

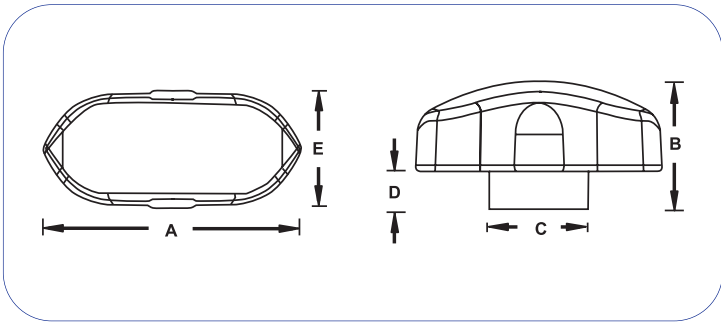
PART #	8-32	10-32	1/4-20	5/16-18	3/8-16	M4	M5	M6	M8	M10
SIGMA-2	X	X	X			X	X	X		
SIGMA-5	X	X	X			X	X	X		
SIGMA-10			X	X	X			X	X	X
SIGMA-20			X	X	X			X	X	X
SIGMA-30			X	X	X			X	X	X



SB SERIES Bar

Material: Glass-Reinforced Polypropylene
Metal Hardware: Zinc-Plated Brass Female Inserts, or Zinc-Plated Steel Studs
Stud Length: Up to 3 inches
Colors: Black, Grey, White, Blue, Yellow, or Red

Custom color matching and pad printed markings are available. Other materials and hardware sizes can be accommodated.



PART #	A	B	C	D	E
SB-1	1.12 / 28.45	.78 / 19.81	.58 / 14.73	.12 / 3.05	.63 / 16.00
SB-2	1.87 / 47.50	.96 / 24.38	.74 / 18.80	.28 / 7.11	.84 / 21.43
SB-3	2.50 / 63.50	1.12 / 28.45	.74 / 18.80	.44 / 11.18	.84 / 21.43

in/mm, dimensional tolerances vary depending on material used and length of dimension

PART #	10-32	1/4-20	5/16-18	3/8-16	M5	M6	M8	M10
SB-1	X	X			X	X		
SB-2	X	X	X	X	X	X	X	X
SB-3	X	X	X	X	X	X	X	X

OMEGA SERIES Bar

Material: ABS

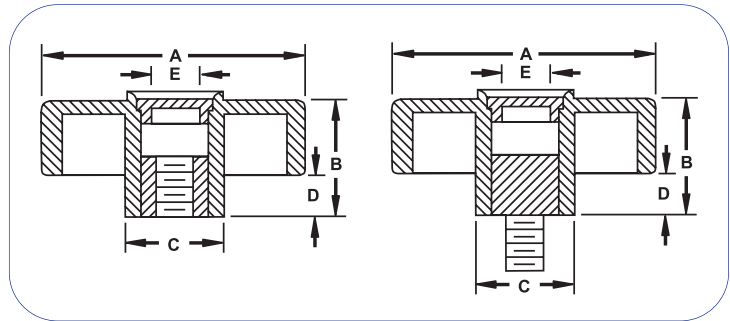
Body Configurations: Closed or
Hole-Thru Top

Metal Hardware: Zinc-Plated Brass Female
Inserts, or Zinc-Plated Steel Studs

Stud Length: Up to 3 inches

Colors: Black, Grey, White, Blue, Yellow,
or Red

Custom color matching and pad printed
markings are available. Other materials
and hardware sizes can be accommodated.



PART #	A	B	C	D	E
OMEGA-5 / OMEGA-5-H	1.50 / 38.10	1.12 / 28.45	.62 / 15.75	.34 / 8.64	.31 / 7.87
OMEGA-10 / OMEGA-10-H	2.00 / 50.80	1.12 / 28.45	.75 / 19.05	.34 / 8.64	.50 / 12.70
OMEGA-20 / OMEGA-20-H	2.50 / 63.50	1.12 / 28.45	.86 / 21.84	.34 / 8.64	.50 / 12.70
OMEGA-30 / OMEGA-30-H	3.00 / 76.20	1.12 / 28.45	.87 / 22.10	.34 / 8.64	.57 / 14.48
OMEGA-40 / OMEGA-40-H	3.50 / 88.90	1.12 / 28.45	.87 / 22.10	.34 / 8.64	.57 / 14.48

-H = Hole Thru, in/mm, dimensional tolerances vary depending on material used and length of dimension

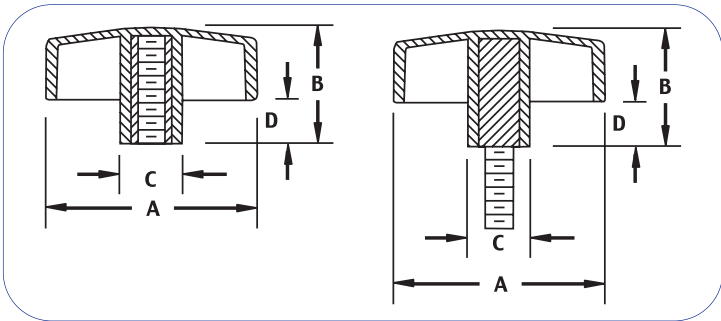
PART #	8-32	10-32	1/4-20	5/16-18	3/8-16	1/2-13	M4	M5	M6	M8	M10	M12
OMEGA-5 / OMEGA-5-H	X	X	X				X	X	X			
OMEGA-10 / OMEGA-10-H	X	X	X	X	X		X	X	X	X	X	
OMEGA-20 / OMEGA-20-H	X	X	X	X	X		X	X	X	X	X	
OMEGA-30 / OMEGA-30-H	X	X	X	X	X	X	X	X	X	X	X	X
OMEGA-40 / OMEGA-40-H	X	X	X	X	X	X	X	X	X	X	X	X



BETA SERIES Bar

Material: ABS
Metal Hardware: Zinc-Plated Brass Female Inserts, or Zinc-Plated Steel Studs
Stud Length: Up to 3 inches
Colors: Black, Grey, White, Blue, Yellow, or Red

Custom color matching and pad printed markings are available. Other materials and hardware sizes can be accommodated.



PART #	A	B	C	D
BETA-2	1.12 / 28.45	.78 / 19.81	.50 / 12.70	.12 / 3.05
BETA-5	1.50 / 38.10	1.12 / 28.45	.61 / 15.49	.50 / 12.70
BETA-10	2.00 / 50.80	1.12 / 28.45	.61 / 15.49	.44 / 11.18
BETA-20	2.50 / 63.50	1.12 / 28.45	.67 / 17.02	.44 / 11.18
BETA-30	3.00 / 76.20	1.12 / 28.45	.75 / 19.05	.31 / 7.87
BETA-40	3.50 / 88.90	1.12 / 28.45	.81 / 20.57	.25 / 6.35

**Solid Top Only, in/mm, dimensional tolerances vary depending on material used and length of dimension*

PART #	8-32	10-32	1/4-20	5/16-18	3/8-16	1/2-13	M4	M5	M6	M8	M10	M12
BETA-2	X	X	X				X	X	X			
BETA-5	X	X	X				X	X	X			
BETA-10			X	X	X				X	X	X	
BETA-20			X	X	X				X	X	X	
BETA-30			X	X	X	X			X	X	X	X
BETA-40			X	X	X	X			X	X	X	X